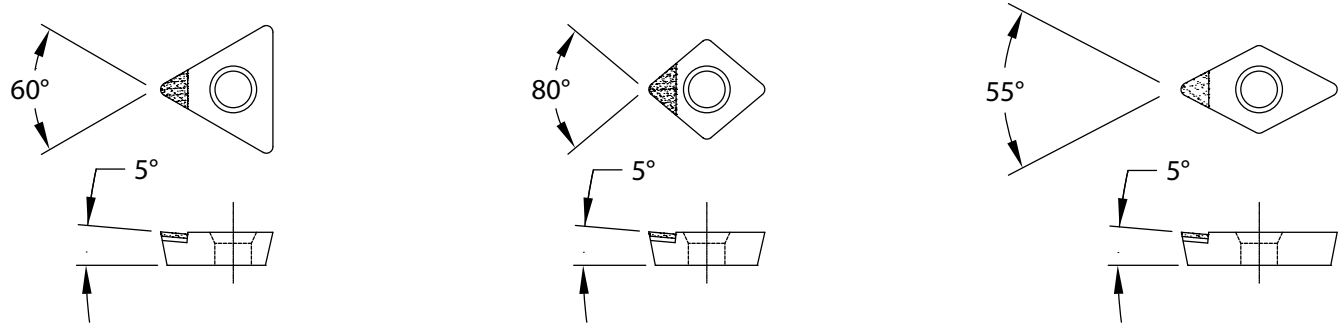


PCD Tipped ISO inserts

sp³ offers a standard family of PCD tipped ISO inserts for your turning and boring needs. Utilizing a premium grade of PCD, **sp³** inserts offer excellent tool life and performance to suit your needs. Please contact your local **sp³** sales representative for assistance in selecting the proper insert for your application. All local sales representatives and their contact information can be found on the back of this brochure for your convenience.



Part #	Description	Tip Size	Top Rake	List Price
41990-01	TCGW-21.51 4mm PCD	4.0MM	5°	\$50.00
41990-02	TCGW-21.52 4mm PCD	4.0MM	5°	\$50.00
41990-03	TCGW-32.51 4mm PCD	4.0MM	5°	\$51.50
41990-04	TCGW-32.52 4mm PCD	4.0MM	5°	\$51.50
41991-01	TPGW-21.51 4mm PCD	4.0MM	5°	\$50.00
41991-02	TPGW-21.52 4mm PCD	4.0MM	5°	\$50.00
41991-03	TPGW-32.51 4mm PCD	4.0MM	5°	\$51.50
41991-04	TPGW-32.52 4mm PCD	4.0MM	5°	\$51.50
41992-01	CCGW-21.51 4mm PCD	4.0MM	5°	\$50.50
41992-02	CCGW-21.52 4mm PCD	4.0MM	5°	\$50.50
41992-03	CCGW-32.51 4mm PCD	4.0MM	5°	\$51.50
41993-04	CCGW-32.52 4mm PCD	4.0MM	5°	\$51.50
41993-01	CPGW-21.51 4mm PCD	4.0MM	5°	\$50.50
41993-02	CPGW-21.52 4mm PCD	4.0MM	5°	\$50.50
41993-03	CPGW-32.51 4mm PCD	4.0MM	5°	\$51.50
41993-04	CPGW-32.52 4mm PCD	4.0MM	5°	\$51.50
41994-01	DCGW-21.51 4mm PCD	4.0MM	5°	\$50.00
41994-02	DCGW-21.52 4mm PCD	4.0MM	5°	\$50.00
41994-03	DCGW-32.51 4mm PCD	4.0MM	5°	\$51.00
41994-04	DCGW-32.52 4mm PCD	4.0MM	5°	\$51.00
41995-01	DPGW-21.51 4mm PCD	4.0MM	5°	\$50.00
41995-02	DPGW-21.52 4mm PCD	4.0MM	5°	\$50.00
41995-03	DPGW-32.51 4mm PCD	4.0MM	5°	\$51.00
41995-04	DPGW-32.52 4mm PCD	4.0MM	5°	\$51.00

sp³ Factory Sales

Mike Bucci

(765) 438-3243

mike.bucci@comcast.net

Region: Indiana

Shawn Farley

(502)-718-0956

m.farley@insightbb.com

Region: KY, TN, MO, AR,
NC, SC, GA, AL, MS

Brett Kischnick

(989) 780-0168

mahalotoall@yahoo.com

Region: Michigan, Ontario

Ralph Lehman

(260) 450-0339

remembercoach@comcast.net

Region: Indiana

Shelby Gibson

(419) 356-5997

shelbygibson@yahoo.com

Region: Ohio, Michigan

Guillermo Rodriguez

011 52 8113805020

grodriquez@sp3inc.com

Region: Mexico; Central and
South America

Rolf Schwarz

+49 173 681-8478

schwarz-rolf@web.de

Region: Europe

sp³ Manufacturer's Reps

Don Cella

(847) 347-4735

allec218@sbcglobal.net

Region: Illinois

Mat Curry

(714) 330-3713

mat.mcsales@verizon.net

Region: Southern California

Rick Hamlen

(610) 972-7221

rickhcutsmetal@aol.com

Region: PA, NY, NJ, MD, DE

Rosie Mahoney

(303) 882-3442

rosiemahoney@comcast.net

Region: Mountain States

Jim Merkel

(414) 791-8589

jmerkel2@wi.rr.com

Region: Wisconsin, Minnesota

John Reeder

(203) 510-2587

msaex1@aol.com

Region: CT, RI, MA, ME,
NH, VT

SP³ DIAMOND CUTTING TOOLS

sp³ Cutting Tools, Inc.

3531 West US Hwy 224, Decatur, IN 46733

Phone: 888-547-4156 • Phone: 260-547-4150 • Fax: 260-547-4214

E-mail: cuttingtools@sp3inc.com

www.sp3cuttingtools.com